

Envelope Feeder Type 2600

(Code: G556)

For Machine Code: G056/G058/G073/G074/G091

INSTALLATION GUIDE

- This unit is a tray that slides into the optional Paper Feed Unit. Without the optional Paper Feed Unit, this Envelope Feeder cannot be used.
- Your printer can have two optional Paper Feed Units. However, the Envelope Feeder must be used in the top-most optional Paper Feed Unit (tray 2). It cannot be used in the bottom-most optional Paper Feed Unit (tray 3).
- The tray of the top most optional Paper Feed Unit is beneath the paper tray.

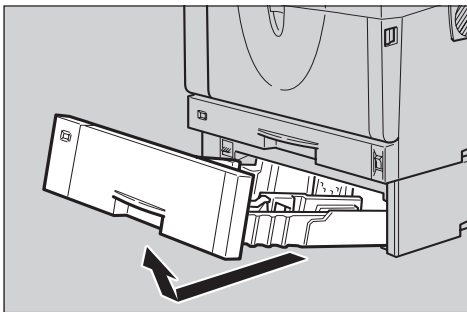
Important

- Do not slide more than one paper tray out at the same time. Having more than one paper tray filled with paper in a fully extended position could cause the machine to fall down.
- Check the printer nameplate to confirm the model code.

1 Check the contents of the box for the following items:

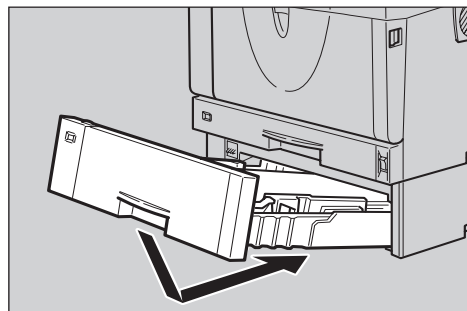
Description	Qty
Envelope Feeder	1
Installation Guide (This sheet)	1

2 Pull out the second paper tray (tray 2) of the optional Paper Feed Unit until it stops. After that, lift it slightly, and then pull it out.



ZDDP330E

3 While lifting the front side of the Envelope Feeder, place the feeder into the printer. Then slide it into the printer until it stops.



ZDDP340E

Note

- For information about loading paper, see "Loading Paper in the Optional Paper Tray" in the Printer Reference is provided as a PDF file on the CD-ROM labeled "Operating Instructions".

Important

- The Envelope Feeder must be used in the top-most optional Paper Feed Unit (tray 2).
- The tray of the top-most optional Paper Feed Unit is beneath the paper tray.

Note

- Keep the paper tray with paper in a cool dark place.